

SOT-523

Digital Transistor (Built-in Resistors)

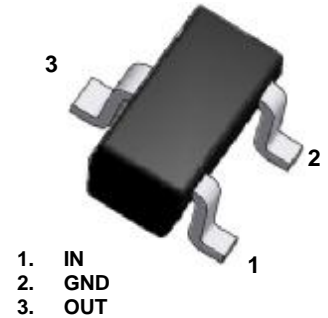
PNP Silicon Surface Mount Transistor

Green Product

Absolute Maximum Ratings ($T_A = 25^\circ\text{C}$ unless otherwise noted)

Symbol	Parameter	Value	Units
V_{CC}	Supply Voltage	-50	V
V_{IN}	Input Voltage	-12 ~ +5	V
I_O	Output Current	-100	mA
I_{CM}	Peak Collector Current	-100	mA
P_D	Power Dissipation	150	mW
T_J	Junction to Ambient	150	$^\circ\text{C}$
T_{STG}	Storage Temperature Range	-55 to +150	$^\circ\text{C}$

These ratings are limiting values above which the serviceability of the device may be impaired.



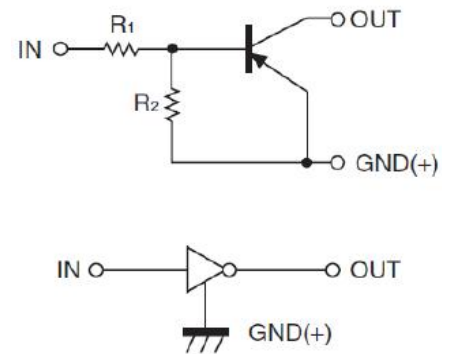
1. IN
2. GND
3. OUT

SOT-523 (SC-75A)

FEATURES:

- § Built-in resistors enable the configuration of an inverter circuit without connecting external input resistors.
- § The bias resistors consist of thin-film resistors with complete isolation to allow positive biasing of the input. They also have the advantage of almost completely eliminating parasitic effects.
- § Only the on/off conditions need to be set for operation, making device design easy.
- § RoHS Compliant
- § Green EMC
- § Matte Tin(Sn) Lead Finish
- § Weight: approx. 0.002g

ELECTRICAL SYMBOL:



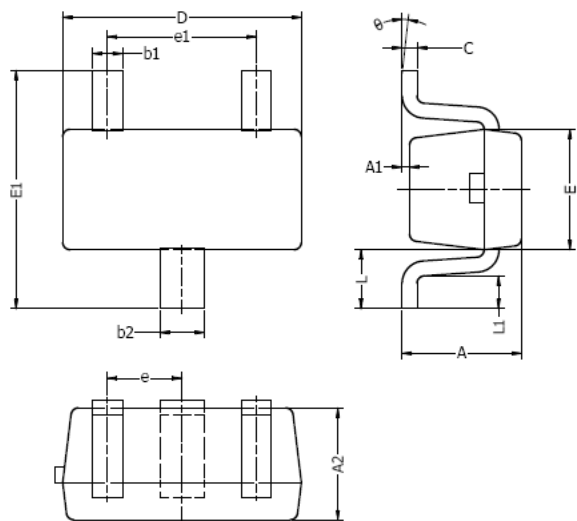
DEVICE MARKING CODE:

Device Type	Device Marking
DTA123JE	E32

Electrical Characteristics ($T_A = 25^\circ\text{C}$ unless otherwise noted)

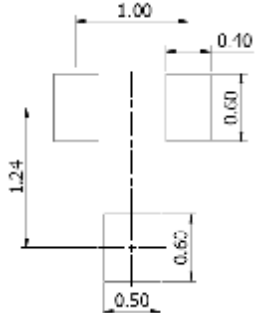
Parameter	Symbol	Test Condition	Limits			Unit
			Min	Typ	Max	
Input Voltage	$V_{I(off)}$	$V_{CC} = -5V, I_O = -100\mu A$	-0.5			V
	$V_{I(on)}$	$V_O = -0.3V, I_O = -5mA$			-1.1	V
Output Voltage	$V_{O(on)}$	$I_O / I_I = -5mA / -0.25mA$		-0.1	-0.3	V
Input Current	I_I	$V_I = -5V$			-3.6	mA
Output Current	$I_{O(off)}$	$V_{CC} = -50V, V_I = 0V$			-0.5	μA
DC Current Gain	G_I	$V_O = -5V, I_O = -10mA$	80			
Input Resistance	R_1		1.54	2.2	2.86	K Ω
Resistance Ratio	R_2 / R_1		17	21	26	
Transition Frequency	f_T	$V_O = -10V, I_O = -5mA$ $f = 100MHz$		250		MHz

SOT-523 Package Outline



DIM	MILLIMETERS		INCHES	
	MIN	MAX	MIN	MAX
A	0.70	0.90	0.028	0.035
A1	0.00	0.10	0.000	0.004
A2	0.70	0.80	0.028	0.031
b1	0.15	0.25	0.006	0.010
b2	0.25	0.35	0.010	0.014
c	0.10	0.20	0.004	0.008
D	1.50	1.70	0.059	0.067
E	0.70	0.90	0.028	0.035
E1	1.45	1.75	0.057	0.069
e	0.50 TYP.		0.020 TYP.	
e1	0.90	1.10	0.035	0.043
L	0.40 REF.		0.016 REF.	
L1	0.10	0.30	0.004	0.012
θ	0°	8°	0°	8°

Typical Soldering Pattern:



NOTES:

- Above package outline conforms to JEITA EAIJ ED-7500A SC-75A.
- Dimensions are exclusive of Burrs, Mold Flash & Tie Bar extrusions.